

Colamark



A204 Battery Labeler

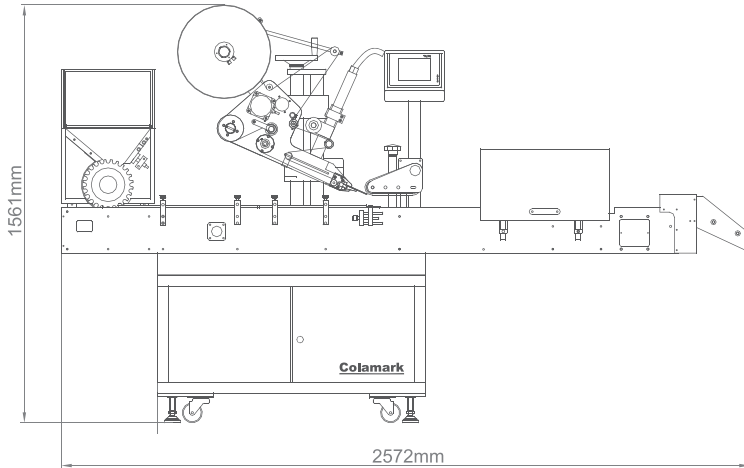
MULTI-FUNCTION! Colamark A204 is an ideal and economical solution for battery industry to labeling on the No.5 & No.7 batteries.

ACCOMPLISH UNINTERRUPTEDLY! Automatic downloading device and roller conveyor belt get the battery feeding, conveying, labeling, heat shrink finished without any letup.

FLEXIBILITY! The system can be used either stand-one, or integrated easily into the existing production line.

PERFECT MATCH Roller conveyor and label adapting belt mechanism both adopt stepless regulating transducer and the heat shrink device matching with the labeling speed, resolves various labeling problems such as crinkle, frothy and miss-position, etc.





Features

- ▶ Easy changeover for different battery sizes: Just change the separating wheel to swap between No.5 and No.7 batteries.
- ▶ Use of through-beam photo-sensors for material level detection. Achieve automatic speed adjustment at low material level, and automatic stop when no material.
- ▶ Automatic suspension of labeling process when the shrink tunnel is over-heated or under-heated avoiding label wastage from improper heat shrinking.
- ▶ Automatic temperature control of the shrink tunnel for good protection:
 - Adjustable temperature and blowing intensity for optimal labeling effect.

- When the conveyor is stopped for a prescribed duration, the shrink tunnel will automatically stop heating to avoid overheating the two ends of the batteries in the tunnel.
- When the conveyor is stopped completely, the shrink tunnel will stop heating and blowing.
- ▶ Optional polarity detection feature: Automatically detects batteries placing in wrong polarity orientation and rejection.
- ▶ Double safety features at the feeding mechanism: torque detection and emergency stop. When a mis-located battery blocks the star wheel, the machine will stop automatically.
- ▶ Features for effective prevention of the problems such as missed labeling, wrong position, and double labeling; include intelligent label quantity management, warning messages and optional visual inspection devices.

Machine Model	A204
Battery Size	No.5 (Dia. 14 mm) or No.7 (Dia. 10 mm)
Labeling Precision	± 0.3mm (other than errors from batteries or labels)
Stable Production Capacity	300ppm (depends on battery & label sizes)
Max. Production Capacity	350ppm (depends on battery & label sizes)
Power Consumption	220VAC±5% 50Hz 2.6kW
Machine Dimensions	(L)2,572mm x (W)6,80mm x (H)1,561mm

(Custom engineered solutions are available to cater for customer's special needs.)

For continuous improvement on design and product innovations, all specification data are subject to change without prior notice

Colamark (Guangzhou) Labeling Equipment Limited

19 Jin Xiu Road, GETDD, Guangzhou, China

Tel: +86 20 8221 6718 Fax: +86 20 8221 5799 PC:510730

Colamark Technologies Limited

820 Topsail Plaza, 11 On Sum Street, Shatin, Hong Kong
Tel: +852 2634 8011 Fax: +852 8161 3311 Email: info@colamark.com Web: www.colamark.com

| HongKong | Guangzhou | Kunming Chengdu | Wuhan | Chongqing | Xian | Shanghai | Qingdao | Beijing | Shenyang | Harbin |