

# Colamark

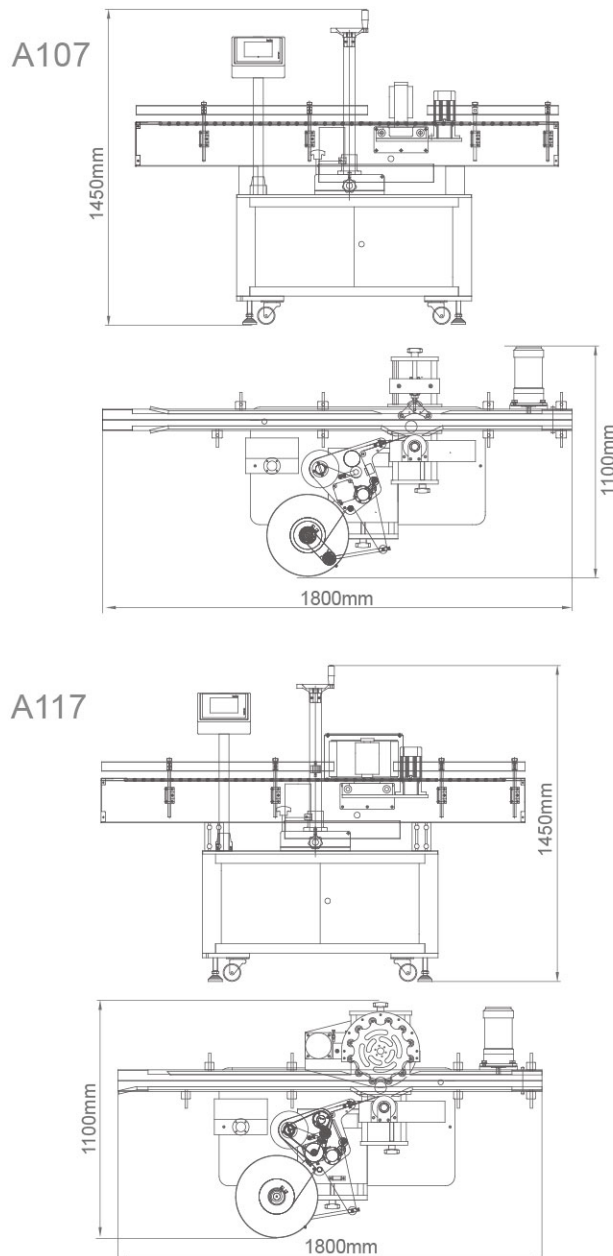


## Colamark Orientation Wrap-around Labeling Machine for Round Bottle

The A107/A117 rotate the bottle for wrap around labeling by gripping at 3 points on the bottle body to ensure precise parallel alignment of the label and at the same time achieve label orientation and/or multiple labels on one bottle. It is widely used in the personal care products, food & beverage, and pharmaceutical industry.

The A107 uses a pneumatic fork to hold the bottle for rotation and is particularly suitable for large diameter and heavier bottles.

The A117 uses an indexing turn-table to move and hold the bottles for rotation and is particularly suitable when fast process capacity is important.



## Features

- Special registration sensor to catch the orientation feature of the bottle precisely.
- Holding the bottle for rotation at 3 points to ensure alignment accuracy.
- Two holding mechanism, pneumatic fork and indexing turn-table, to meet different bottle characteristics and process requirements.
- Single label or dual label labeling
- Optional inspection and rejection functions for missing label, wrong label, wrong position, and missing or illegible date/batch codes etc.
- Various optional coding devices for synchronized coding: hot stamping, thermal transfer, inkjet, thermal inkjet etc.
- Integrated management of peripheral devices. Operation parameters, alarm signals of peripherals can be shown on the system control panel.

## Machine Model

## A107 / A117

Diameter	Φ28~100mm (For A117, the indexing turn-table is a change part for different range of diameters)
Label length	10~200mm
Capacity	20~120 bottles/min. (Subject to sizes of materials)
Precision	± 0.5mm
Electricity & power	220VAC ± 5% 50Hz 1.3kW
Machine dimensions	(L)1,800×(W)1,100×(H)1,450 mm

( Custom engineered solutions are available to cater for customer's special needs. )

For continuous improvement on design and product innovations, all specification data are subject to change without prior notice

## Colamark (Guangzhou) Labeling Equipment Limited

19 Jin Xiu Road, GETDD, Guangzhou, China

Tel: +86 20 8221 6718 Fax: +86 20 8221 5799 PC:510730

## Colamark Technologies Limited

820 Topsail Plaza, 11 On Sum Street, Shatin, Hong Kong

Tel: +852 2634 8011 Fax: +852 8161 3311 Email: info@colamark.com Web: www.colamark.com

| Hong Kong | Guangzhou | Shanghai | Beijing | Shenyang | Qingdao | Wuhan | Chengdu | Kunming |