

Colamark

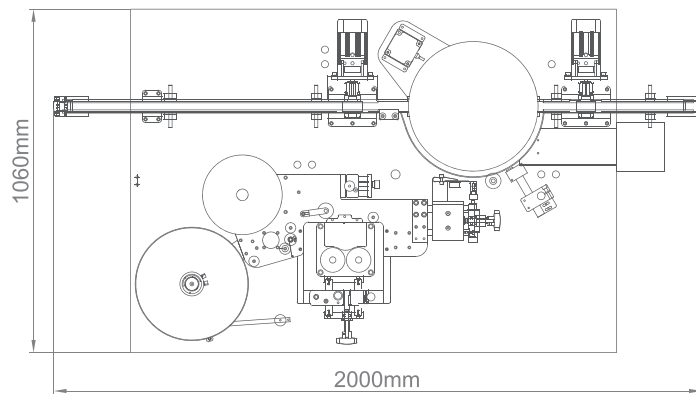
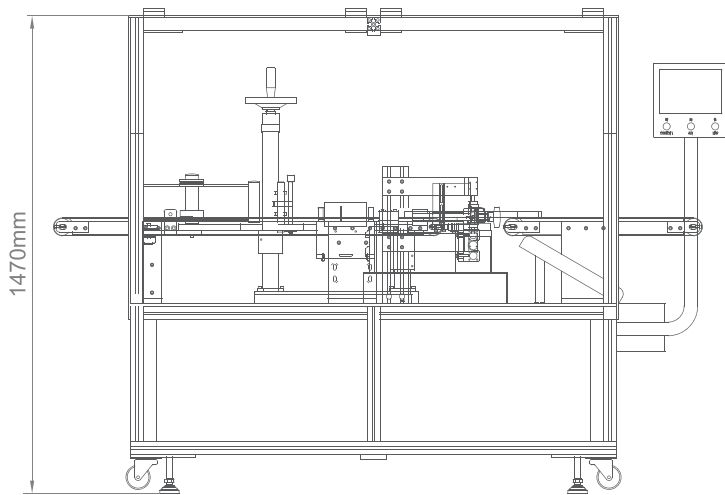


(The transparent safety enclosure shown is an optional item)



Colamark A109 Lip-stick Labeling System

A109 is specially designed for high precision labeling on the end of lipstick casing, or other products of similar shapes, cylindrical or prismatic (e.g. Lip pencil, mascara etc.), for the cosmetics industry.



Features

- To cater for the ever changing shapes of lip stick casing, A109 uses an indexing turn-table to handle the products in and out the labeling station and custom designed jigs adapted to the special shape of the product to hold the product in the proper place for labeling, precisely, reliably and quickly.
- To cater for the exceptionally small label size normally used for the end of the lip stick casing, A109 uses a specially designed suction arm to pick-up and apply the label on to the substrate, ensuring accurate placement and reliable operation.
- Various coding device for synchronized online coding: hot stamping, inkjet, thermal inkjet, thermal transfer, to cater to the unique requirement of the user.
- Various inspection devices for detecting missing label, wrong label, double label, wrong position, missing code, wrong code etc. to ensure quality of the output. Defective products are rejected into a rejection bin.
- Coding and inspection devices can also be fully integrated into the system for consolidated control from the user interface.
- Touch panel HMI: Easy to use and user friendly, providing comprehensive help menu and diagnosis support.

Model	A109
Material dimensions	Φ15×90mm / Φ20×76mm
Capacity	60-90/min.
Precision	±1.0mm
Label size (min. length)	9mm
Compressed air	100L/min
Power Consumption	220VAC 50/60Hz 2kW
Machine dimension	(L)2,000mm × (W)1,060mm × (H)1,470 mm

(Custom engineered solutions are available to cater for customer's special needs.)

For continuous improvement on design and product innovations, all specification data are subject to change without prior notice

Colamark (Guangzhou) Labeling Equipment Limited

19 Jin Xiu Road, GETDD, Guangzhou, China

Tel: +86 20 8221 6718 Fax: +86 20 8221 5799 PC:510730

Colamark Technologies Limited 820 Topsail Plaza,11 On Sum Street,Shatin, Hong Kong

Tel: +852 2634 8011 Fax: +852 8161 3311 Email: info@colamark.com Web: www.colamark.com

|HongKong | Guangzhou | Kunming Chengdu | Wuhan | Chongqing | Xian | Shanghai | Qingdao | Beijing | Shenyang | Harbin|