

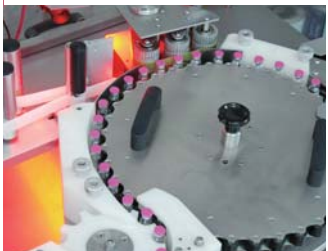
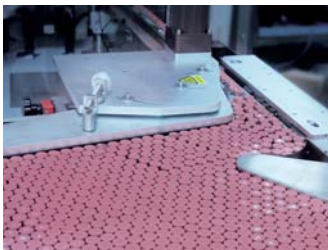
Colamark

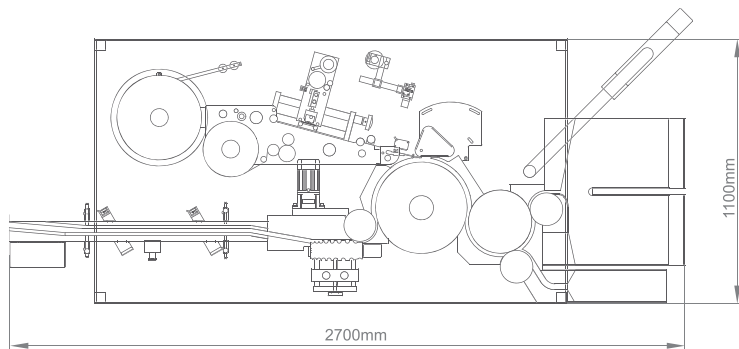
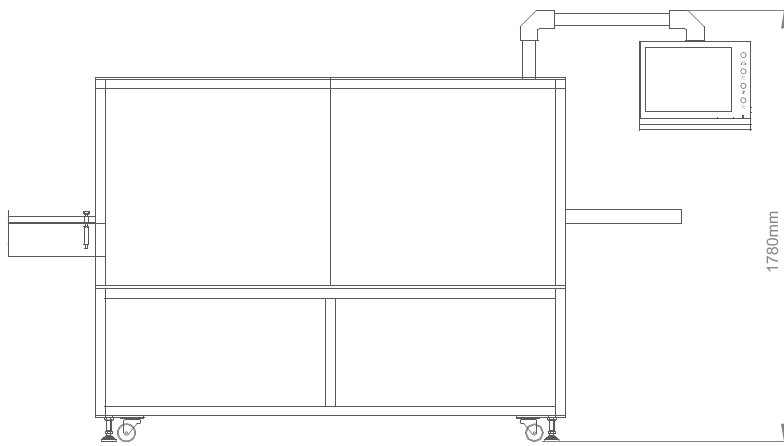


Safety enclosure & Hi-speed loading platform are optional

Colamark A104 Rotary Vertical Wrap-around Labeling System for Vials

A104 is specially designed for high speed and precision labeling on vials and other small pharmaceutical bottles. Straight line layout and spacing worm are used for easy inline connection. Rotary indexing table aligns vials at three points enabling extra stability and high precision labeling at all speeds. Optional label and code inspection. Patented positive drive rejection wheel mechanism ensures accurate rejection of defective products orderly during high speed operation.





(For reference only. Collection platform is optional)

Features

- Vertical transportation of bottles in the full cycle.
- Use of rotary turntable and feeding worms throughout the path for bottle movement and indexing to ensure bottle movement stability.
- Properly indexed bottle position to ensure inspection and rejection consistence.
- Various optional inspection devices including missing code detection, missing label detection, visual system inspection for label content and placement accuracy etc.
- Rejection device at fully indexed pace to ensure accurate rejection at high operation speed.
- Bottle is gripped at 3 points at labeling to ensure proper alignment between bottle and label.
- Inline operation mode or use of feeding table for stand alone operation
- Connects seamlessly to the Colamark tray insertion machines for tray insertion of the labeled bottles - another step of integrated automation at your packaging line.
- High speed operation at up to 450 bpm.
- Optional high speed hot stamping coder or thermal transfer overprinter at matching speed.
- Safety enclosure and safety door switches
- PLC controlled operation
- User friendly HMI with program memory.

Model	A104
Bottle diamete	16-22mm
Capacity	700 bpm (depending on material dimensions)
Labeling precision	±0.5mm (excl. error from materials)
Options	No-label detection, no-code detection, barcode reading, Visual system for content inspection, Tray-insertion, Thermal transfer overprinter, High speed hotstamping coder, High resolution inkjet printer and curing heater
Air pressure	6Bar (for hot stamping coder and rejection device)
Power consumption	2700VAC 50HZ 1.5kW
Machine dimensions	(L)2,700mm×(W)1,100mm×(H)1,780 mm

Custom engineered solutions are available to cater for customer's special needs.

For continuous improvement on design and product innovations, all specification data are subject to change without prior notice

Colamark (Guangzhou) Labeling Equipment Limited

19 Jin Xiu Road, GETDD, Guangzhou, China

Tel: +86 20 8221 6718 Fax: +86 20 8221 5799 PC:510730

Colamark Technologies Limited 820 Topsail Plaza,11 On Sum Street,Shatin, Hong Kong

Tel: +852 2634 8011 Fax: +852 8161 3311 Email: info@colamark.com Web: www.colamark.com

|HongKong | Guangzhou | Kunming Chengdu | Wuhan | Chongqing | Xian | Shanghai | Qingdao | Beijing | Shenyang | Harbin|